

TIE TOP LINE POST

"F NECK"

45 kV CAT. NO. 62056

ANSI CLASS 57-3

30

- 1 ENG. MGR
- 2 ENG
- PURCH.
- 1 MKTG.
- PLT. MGR.
- COST
- PROD.
- INSP
- GLAZE
- BUSHING
- MAKING
- SHIP
- ASSEM
- MODEL
- MACH.
- 45
- TOOLING
- CER LAB
- 1 EL LAB
- Q. A.

DIMENSIONS

LEAKAGE DISTANCE IN 29
 DRY ARC DISTANCE 12 1/4

MECHANICAL VALUES

CANTILEVER STRENGTH LB 2800

ELECTRICAL VALUES

60 HERTZ FLASHOVER-DRY kV 125
 60 HERTZ FLASHOVER-WET kV 95
 IMPULSE FLASHOVER-POS. kV 200

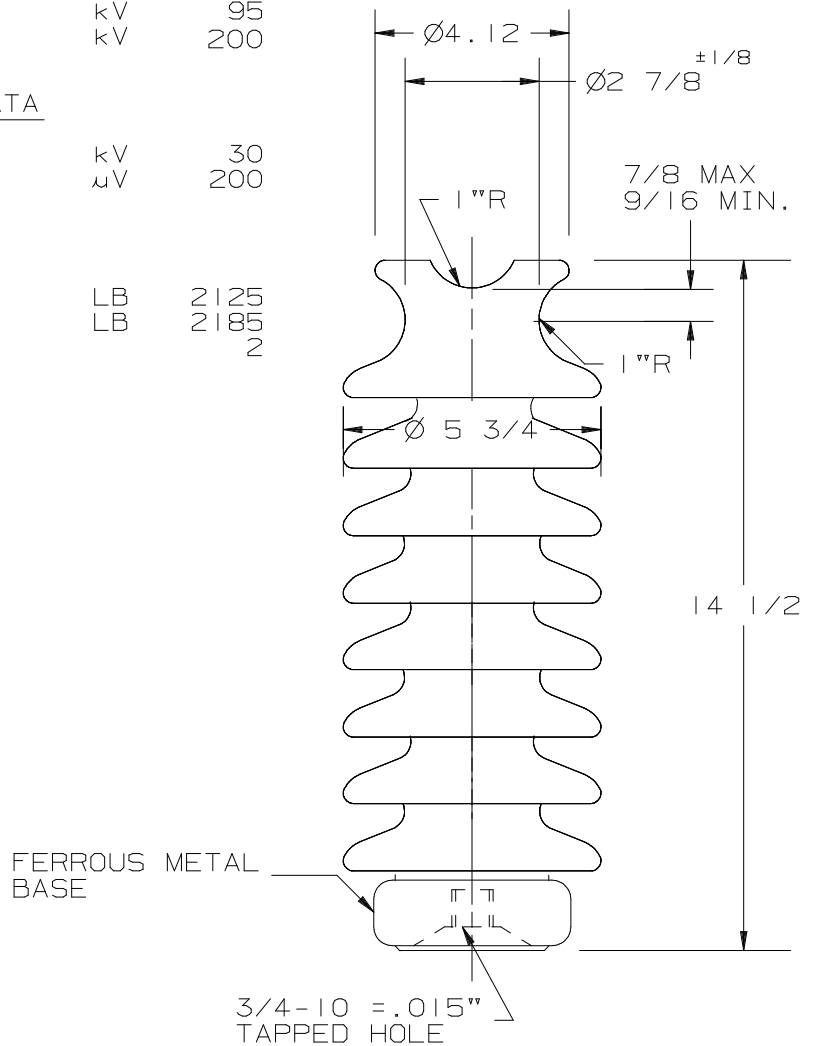
RADIO INFLUENCE VOLTAGE DATA


60 HERTZ TEST VOLTAGE kV 30
 MAXIMUM RIV @ 1000 kHz μ V 200

PACKING INFORMATION

NET WEIGHT ,100 LB 2125
 PACKED WEIGHT ,100 LB 2185
 NO. IN STANDARD PACKAGE 2

THIS DRAWING IS THE PROPERTY OF
 VICTOR INSULATORS, INC. AND CONTAINS
 PROPRIETARY AND CONFIDENTIAL INFORMATION
 WHICH MUST NOT BE DUPLICATED, USED,
 OR DISCLOSED OTHER THAN AS EXPRESSLY
 AUTHORIZED BY VICTOR INSULATORS, INC.



7-9-98	DF	PP	AS	B	 Victor Insulators, Inc. 280 MAPLE AVENUE VICTOR, NEW YORK 14564 TELEPHONE: (716)924-2127	62056
5-30-97	MM	PP	A			
7-25-96	MM	PP				