

**CLAMP TOP LINE POST**

VERTICAL MOUNT

CAT. NO. 62150

15 kV

- 1 ENG. MGR
- 2 ENG
- PURCH.
- 1 MKTG.
- PLT.MGR.
- COST
- PRD.
- INSP
- GLAZE
- BUSHING
- MAKING
- SHIP
- ASSEM
- MODEL
- MACH.
- 45
- TOOLING
- CER LAB
- 1 EL LAB
- 1 E.MEDIA

DIMENSIONS:

LEAKAGE DISTANCE	IN[mm]	10[254]
DRY ARCING DISTANCE	IN[mm]	5[127]

MECHANICAL VALUES:

CANTILEVER STRENGTH	LB[kN]	2,800[12.5]
---------------------	--------	-------------

ELECTRICAL VALUES:

60 HERTZ WITHSTAND-DRY	kV	70
60 HERTZ WITHSTAND-WET	kV	50
IMPULSE FLASHOVER-POSITIVE	kV	100
IMPULSE FLASHOVER-NEGATIVE	kV	125

RADIO INFLUENCE VOLTAGE DATA:

60 HERTZ TEST VOLTAGE TO GROUND	kV	15
MAXIMUM R.I.V. @ 1000 kHz	μV	50

PACKING INFORMATION

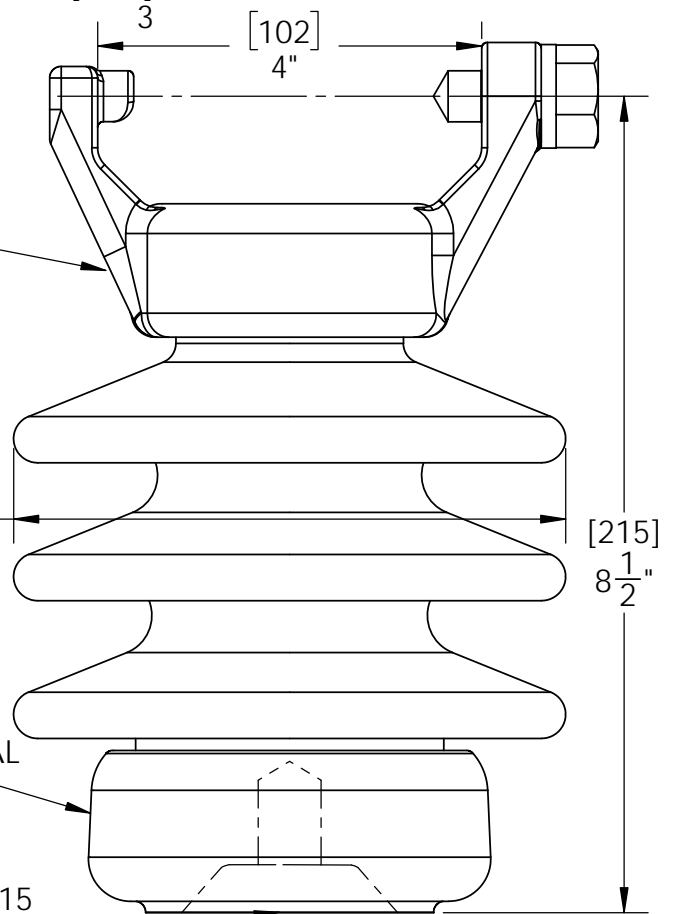
NET WEIGHT	LB[kg]	12.25[5.50]
PACKED WEIGHT	LB[kg]	12.70[5.75]
NO. IN STANDARD PACKAGE		

THIS DRAWING IS THE PROPERTY OF VICTOR INSULATORS, INC. AND CONTAINS PROPRIETARY AND CONFIDENTIAL INFORMATION WHICH MUST NOT BE DUPLICATED, USED, OR DISCLOSED OTHER THAN AS EXPRESSLY AUTHORIZED BY VICTOR INSULATORS, INC.

FERROUS METAL CLAMP YOKE

FERROUS METAL BASE

3/4"-10 +.015 TAPPED HOLE



**APPROVED**  
By A. E. Schwalm at 7:21 am, Dec 07, 2016



**Victor Insulators, Inc.**  
280 Maple Avenue  
Victor, New York 14564  
Telephone: (585)924-2127  
www.victorinsulators.com

**62150**

11-29-2016

AF TM

62150