

# CLAMP TOP LINE POST

VERTICAL MOUNTING

34.5 kV

CAT NO. 62155

ANSI CLASS 57-12

- 1 ENG. MGR
- 2 ENG
- PURCH.
- 1 MKTG.
- PLT.MGR.
- COST
- PRD.
- INSP
- GLAZE
- BUSHING
- MAKING
- SHIP
- ASSEM
- MODEL
- MACH.
- 45
- TOOLING
- CER LAB
- 1 EL LAB
- 1 E.MEDIA

**DIMENSIONS:**

LEAKAGE DISTANCE                   IN[mm]    22 [559]  
 DRY ARCING DISTANCE               IN[mm]    9.5[241]

**MECHANICAL VALUES:**

CANTILEVER                           LB[kN]   2,800[12.5]

**ELECTRICAL VALUES:**

60 HERTZ FLASHOVER-DRY           kV        100  
 60 HERTZ FLASHOVER-WET          kV        70  
 IMPULSE FLASHOVER-POS            kV       160

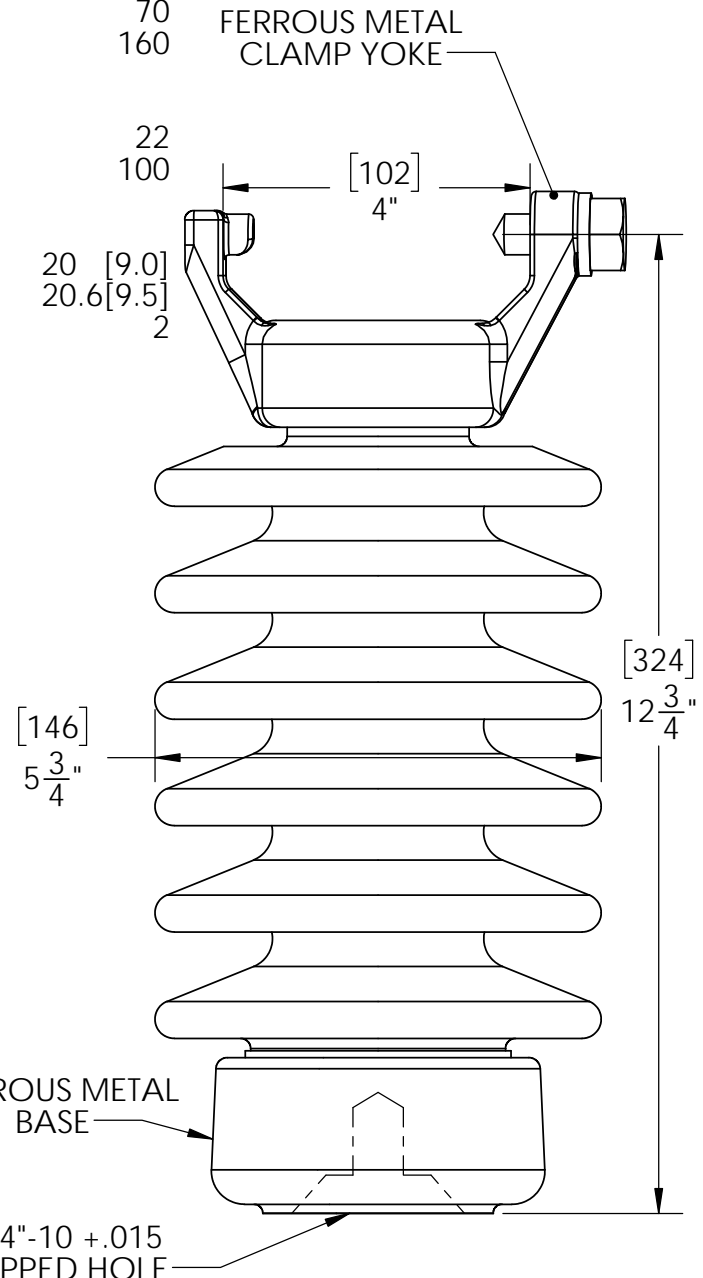
**RADIO INFLUENCE VOLTAGE DATA:**

60 HERTZ TEST VOLTAGE TO GROUND   kV        22  
 MAXIMUM R.I.V. @ 1000 kHz        μV       100

**PACKAGING INFORMATION:**

NET WEIGHT,                           LB[kg]    20 [9.0]  
 PACKED WEIGHT                       LB[kg]    20.6[9.5]  
 NO. IN STANDARD PACKAGE           2

THIS DRAWING IS THE PROPERTY OF VICTOR INSULATORS, INC. AND CONTAINS PROPRIETARY AND CONFIDENTIAL INFORMATION WHICH MUST NOT BE DUPLICATED, USED, OR DISCLOSED OTHER THAN AS EXPRESSLY AUTHORIZED BY VICTOR INSULATORS, INC.



**APPROVED**  
 By A. E. Schwalm at 9:35 am, Jan 18, 2017

01-18-17		TM		A
11-21-16	AF	TM		



**Victor Insulators, Inc.**  
 280 Maple Avenue  
 Victor, New York 14564  
 Telephone: (585)924-2127  
 www.victorinsulators.com

**62155**

SUPERSEDES DWG. 62155 DATED 7-8-98