

CLAMP TOP LINE POST

HORIZONTAL MOUNTING

45kV

CAT. NO. 62256

ANSI CLASS 57-23

- 1 ENG. MGR
- 2 ENG
- PURCH.
- 1 MKTG.
- PLT.MGR.
- COST
- PRD.
- INSP
- GLAZE
- BUSHING
- MAKING
- SHIP
- ASSEM
- MODEL
- MACH.
- 45
- TOOLING
- CER LAB
- 1 EL LAB
- 1 E.MEDIA

DIMENSIONS:

LEAKAGE DISTANCE	IN[mm]	29 [736]
DRY ARCING DISTANCE	IN[mm]	12.25[311]

MECHANICAL VALUES:

CANTILEVER	LB[kN]	2,800[12.5]
------------	--------	-------------

ELECTRICAL VALUES:

60 HERTZ FLASHOVER-DRY	kV	125
60 HERTZ FLASHOVER-WET	kV	95
IMPULSE FLASHOVER-POS	kV	200

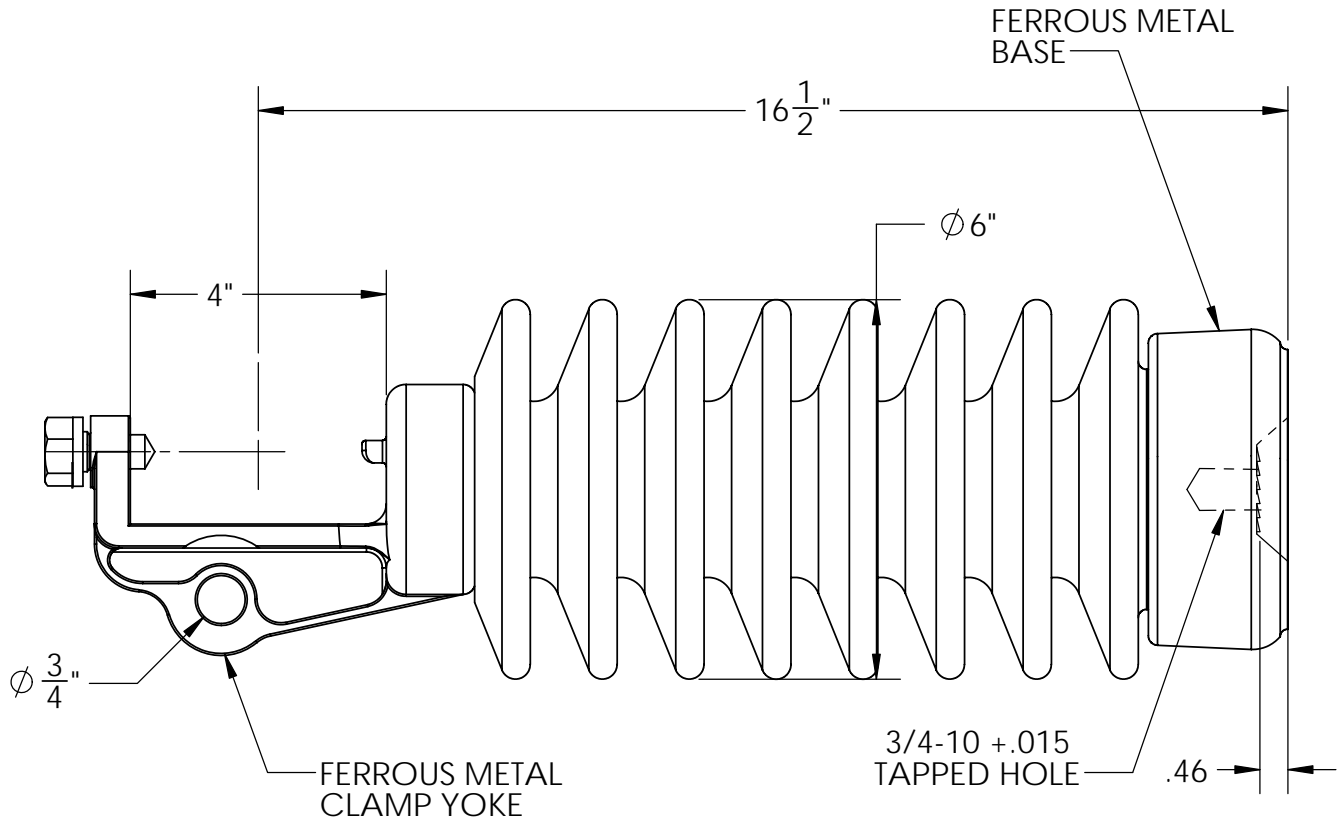
RADIO INFLUENCE VOLTAGE DATA:

60 HERTZ TEST VOLTAGE TO GROUND	kV	30
MAXIMUM R.I.V. @ 1000 kHz	μV	200

PACKAGING INFORMATION:

NET WEIGHT,	LB[kg]	25.31[11.48]
PACKED WEIGHT	LB[kg]	25.91[11.75]
NO. IN STANDARD PACKAGE		2

THIS DRAWING IS THE PROPERTY OF VICTOR INSULATORS, INC. AND CONTAINS PROPRIETARY AND CONFIDENTIAL INFORMATION WHICH MUST NOT BE DUPLICATED, USED, OR DISCLOSED OTHER THAN AS EXPRESSLY AUTHORIZED BY VICTOR INSULATORS, INC.



APPROVED
By A. E. Schwalm at 12:34 pm, Mar 24, 2017



Victor Insulators, Inc.
280 Maple Avenue
Victor, New York 14564
Telephone: (585)924-2127
www.victorinsulators.com

62256

03-24-17

TM

SUPERSEDES 62256 DATED 7-26-96