

30

CLAMP TOP LINE POST

HORIZONTAL MOUNTING

55 kV CAT. NO. 62257

ANSI CLASS 57-24

1 ENG. MGR.
 2 ENG.
 PURCH.
 1 MKTG.
 PLT. MGR.
 COST
 PROD.
 INSP.
 GLAZE
 BUSHING
 MAKING
 SHIP.
 ASSEM.
 MODEL
 MACH.
 45
 TOOLING
 CER. LAB.
 1 EL. LAB.
 Q. A.

DIMENSIONS

LEAKAGE DISTANCE IN 40
 DRY ARCING DISTANCE IN 14 1/2

MECHANICAL VALUES

TENSION STRENGTH LB 25,000
 CANTILEVER STRENGTH LB 22,800
 TORSTON STRENGTH IN-LB 90,000
 COMPRESSION STRENGTH LB 75,000

ELECTRICAL VALUES

60 HERTZ FLASHOVER-DRY kV 140
 60 HERTZ FLASHOVER-WET kV 110
 IMPULSE FLASHOVER -POS kV 230

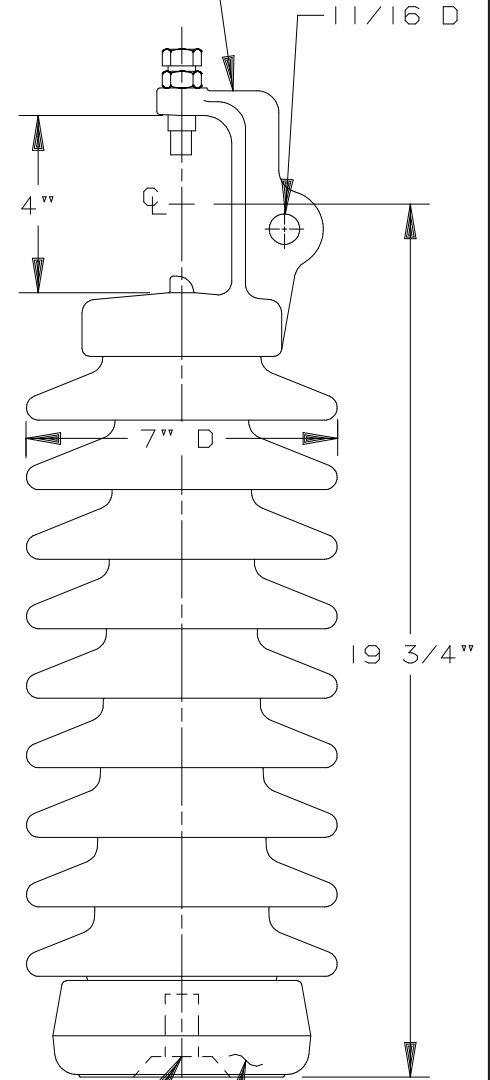
RADIO INFLUENCE VOLTAGE DATA

60 HERTZ TEST VOLTAGE RMS TO GROUND kV 44
 MAXIMUM RIV @ 1000 kHz μV 200

PACKING INFORMATION

NET WEIGHT PER 100 LB 3800
 PACKED WEIGHT PER 100 LB 4050
 NO. IN STANDARD PACKAGE 1

MALL. IRON CAP



3/4-10+.015" TAPPED HOLE

MALL. IRON BASE

THIS DRAWING IS THE PROPERTY OF VICTOR INSULATORS, INC. AND CONTAINS PROPRIETARY AND CONFIDENTIAL INFORMATION WHICH MUST NOT BE DUPLICATED, USED, OR DISCLOSED OTHER THAN AS EXPRESSLY AUTHORIZED BY VICTOR INSULATORS, INC.

4-18-95	RR	PP	AS	A
3-24-93	RR	PP	RG	



Victor Insulators, Inc.

280 MAPLE AVENUE
 MAIL: P.O. BOX B, VICTOR, NEW YORK 14564
 TELEPHONE: (716)924-2127

62257