

30

CLAMP TOP LINE POST

HORIZONTAL POLE GAIN MT'G

25 kV CAT. NO. 62353

ANSI CLASS 57-31

ENG. MGR.  
 ENG.  
 PURCH.  
 MKTG.  
 PLT. MGR.  
 COST  
 PROD.  
 INSP.  
 GLAZE  
 BUSHING  
 MAKING  
 SHIP.  
 ASSEM.  
 MODEL  
 MACH.  
 45  
 TOOLING  
 CER. LAB.  
 EL. LAB.  
 Q.A.

DIMENSIONS

LEAKAGE DISTANCE	IN	14
DRY ARCING DISTANCE	IN	6.5

MECHANICAL VALUES

CANTILEVER STRENGTH	LB	2,800
---------------------	----	-------

ELECTRICAL VALUES

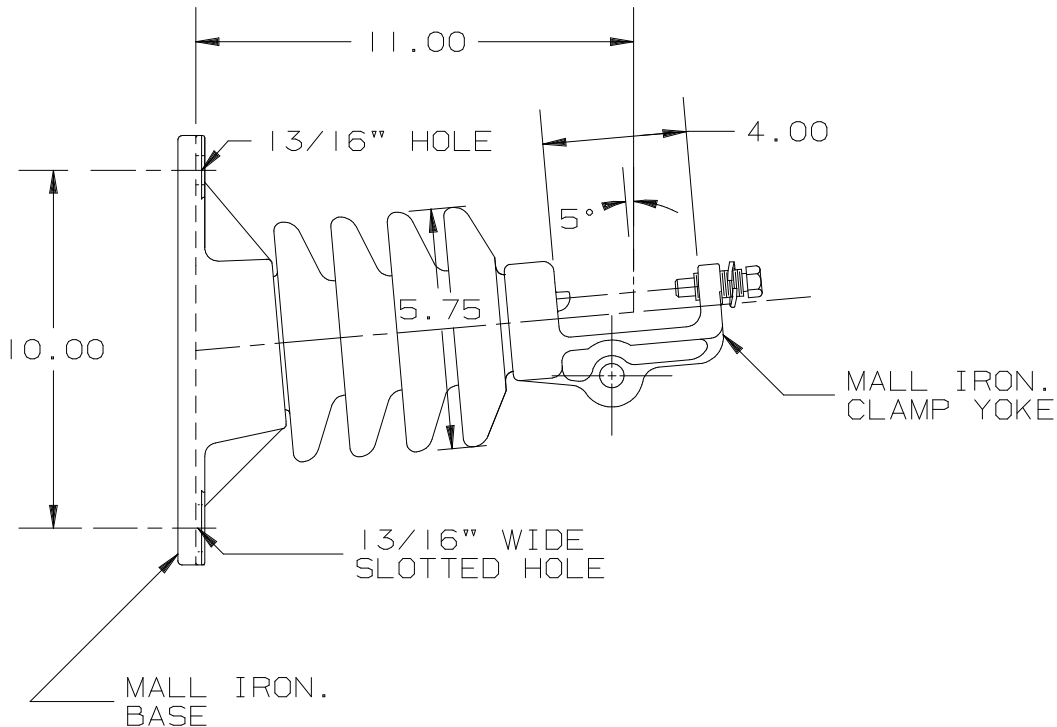
60 Hz DRY FLASHOVER	kV	70
60 Hz WET FLASHOVER	kV	50
IMPULSE FLASHOVER - POS.	kV	120

RADIO INFLUENCE VOLTAGE DATA

60 HERTZ TEST VOLTAGE	kV	15
MAXIMUM RIV @ 1000 kHz	μV	100

PACKING INFORMATION

NET WEIGHT, PER 100	LB	2100
PACKED WEIGHT, PER 100	LB	2175
NO. IN STANDARD PACKAGE		2



THIS DRAWING IS THE PROPERTY OF VICTOR INSULATORS, INC. AND CONTAINS PROPRIETARY AND CONFIDENTIAL INFORMATION WHICH MUST NOT BE DUPLICATED, USED, OR DISCLOSED OTHER THAN AS EXPRESSLY AUTHORIZED BY VICTOR INSULATORS, INC.

3-11-96

TP

AS



Victor Insulators, Inc.

280 MAPLE AVENUE  
 MAIL: P.O. BOX B, VICTOR, NEW YORK 14564  
 TELEPHONE: (716)924-2127

62353

SUPERSEDES 62353 8-5-91