

30

CLAMP TOP LINE POST	
HORIZONTAL POLE GAIN BASE	
35 kV	CAT. NO. 62355
ANSI CLASS: 57-32	

- 1 ENG. MGR.
- 2 ENG.
- PURCH.
- 1 MKTG.
- PLT. MGR.
- COST
- PROD.
- INSP.
- GLAZE
- BUSHING
- MAKING
- SHIP.
- ASSEM.
- MODEL
- MACH.
- 45
- TOOLING
- CER. LAB.
- 1 EL. LAB.
- 1 E. MEDIA

DIMENSIONS

LEAKAGE DISTANCE	IN	22
DRY ARCING DISTANCE	IN	9 $\frac{1}{2}$

MECHANICAL VALUES

CANTILEVER STRENGTH	LB	2,800
---------------------	----	-------

ELECTRICAL VALUES

60 HERTZ FLASHOVER-DRY	kV	110
60 HERTZ FLASHOVER-WET	kV	100
IMPULSE FLASHOVER-POS.	kV	180
IMPULSE FLASHOVER-NEG.	kV	205

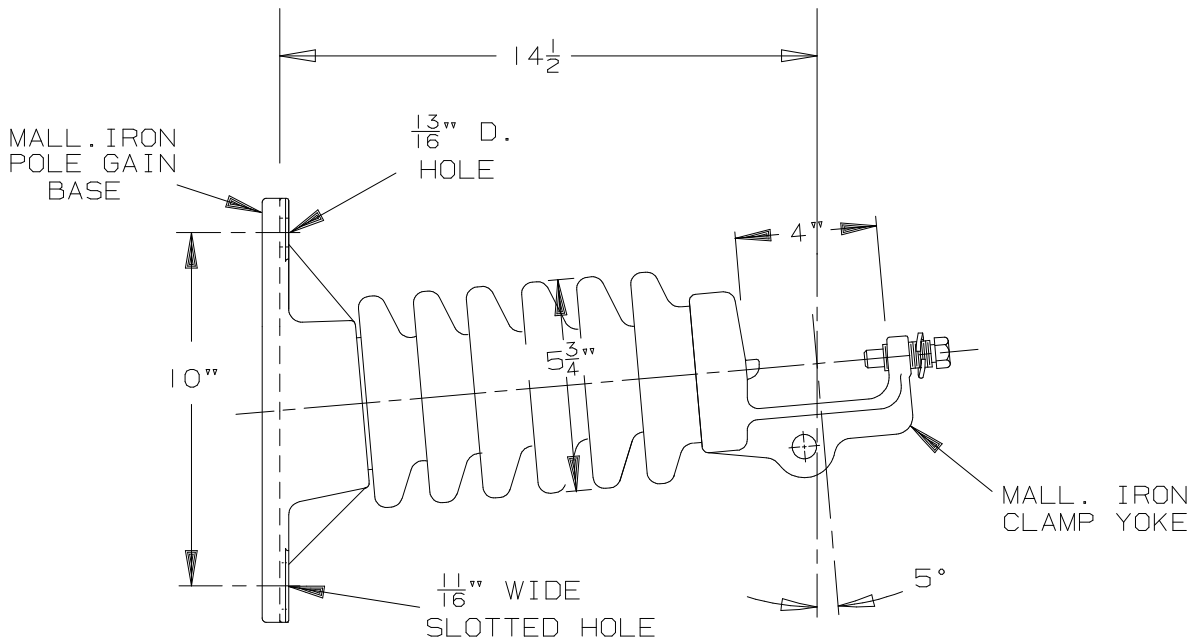
RADIO INFLUENCE VOLTAGE DATA

60 HERTZ TEST VOLTAGE	kV	22
RMS TO GRD.	μ V	100
MAXIMUM RIV @ 1000 kHz		

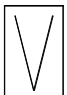
PACKING INFORMATION

NET WEIGHT, PER 100	LB	2650
PACKED WEIGHT, PER 100	LB	2750
NO. IN STANDARD PACKAGE		2

THIS DRAWING IS THE PROPERTY OF VICTOR INSULATORS, INC. AND CONTAINS PROPRIETARY AND CONFIDENTIAL INFORMATION WHICH MUST NOT BE DUPLICATED, USED, OR DISCLOSED OTHER THAN AS EXPRESSLY AUTHORIZED BY VICTOR INSULATORS, INC.



FILE: 62355

	Victor Insulators, Inc. 280 MAPLE AVENUE VICTOR, NEW YORK 14564 TELEPHONE: (716)924-2127	62355
	5-22-98	DF PP RG