

30

POLE GAIN LINE POST

HORIZONTAL MOUNTING

46 kV CAT. NO. 62356

ANSI CLASS 57-33

ENG. MGR.
 ENG.
 PURCH.
 MKTG.
 PLT. MGR.
 COST
 PROD.
 INSP.
 GLAZE
 BUSHING
 MAKING
 SHIP.
 ASSEM.
 MODEL
 MACH.
 45
 TOOLING
 CER. LAB.
 EL. LAB.
 E. MEDIA

DIMENSIONS

LEAKAGE DISTANCE	IN	29
DRY ARCING DISTANCE	IN	12.25

MECHANICAL VALUES

CANTILEVER STRENGTH	LB	2,800
---------------------	----	-------

ELECTRICAL VALUES

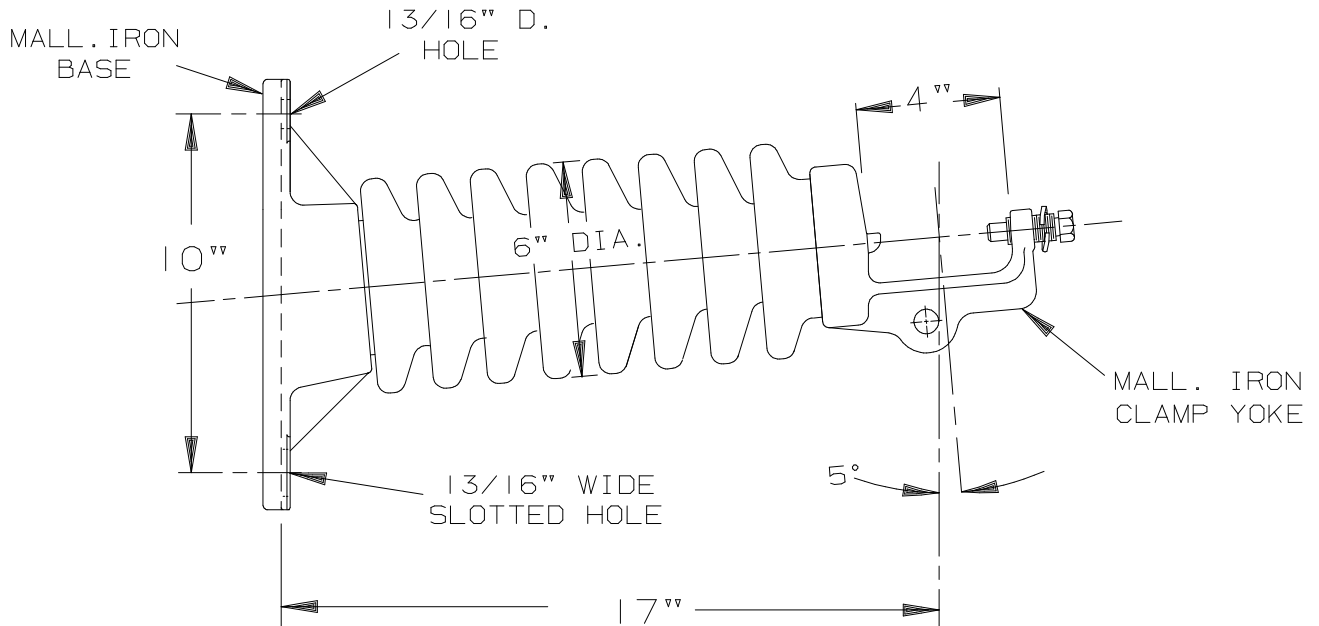
60 HERTZ FLASHOVER-DRY	kV	125
60 HERTZ FLASHOVER-WET	kV	95
IMPULSE WITHSTAND -POS.	kV	200

RADIO INFLUENCE VOLTAGE DATA

60 HERTZ TEST VOLTAGE	kV	30
MAXIMUM RIV @ 1000 kHz	μ V	200

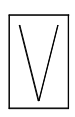
PACKING INFORMATION

NET WEIGHT, PER 100	LB	3320
PACKED WEIGHT, PER 100	LB	3480
NO. IN STANDARD PACKAGE		1



THIS DRAWING IS THE PROPERTY OF VICTOR INSULATORS, INC. AND CONTAINS PROPRIETARY AND CONFIDENTIAL INFORMATION WHICH MUST NOT BE DUPLICATED, USED, OR DISCLOSED OTHER THAN AS EXPRESSLY AUTHORIZED BY VICTOR INSULATORS, INC.

3-11-96	TP	PP	AS	B
11-1-93		PP		A



Victor Insulators, Inc.
 280 MAPLE AVENUE
 MAIL: P.O. BOX B, VICTOR, NEW YORK 14564
 TELEPHONE: (716)924-2127

62356