

POLE GAIN LINE POST

HORIZONTAL MOUNTING

55 kV CAT. NO. 62357

ANSI CLASS 57-34

ENG. MGR.
 ENG.
 PURCH.
 MKTG.
 PLT. MGR.
 COST
 PROD.
 INSP.
 GLAZE
 BUSHING
 MAKING
 SHIP.
 ASSEM.
 MODEL
 MACH.
 45
 TOOLING
 CER. LAB.
 EL. LAB.
 Q. A.

DIMENSIONS

LEAKAGE DISTANCE	IN	40
DRY ARCING DISTANCE	IN	14.5

MECHANICAL VALUES

CANTILEVER STRENGTH	LB	2,800
---------------------	----	-------

ELECTRICAL VALUES

60 HERTZ FLASHOVER-DRY	kV	140
60 HERTZ FLASHOVER-WET	kV	110
IMPULSE WITHSTAND -POS.	kV	230

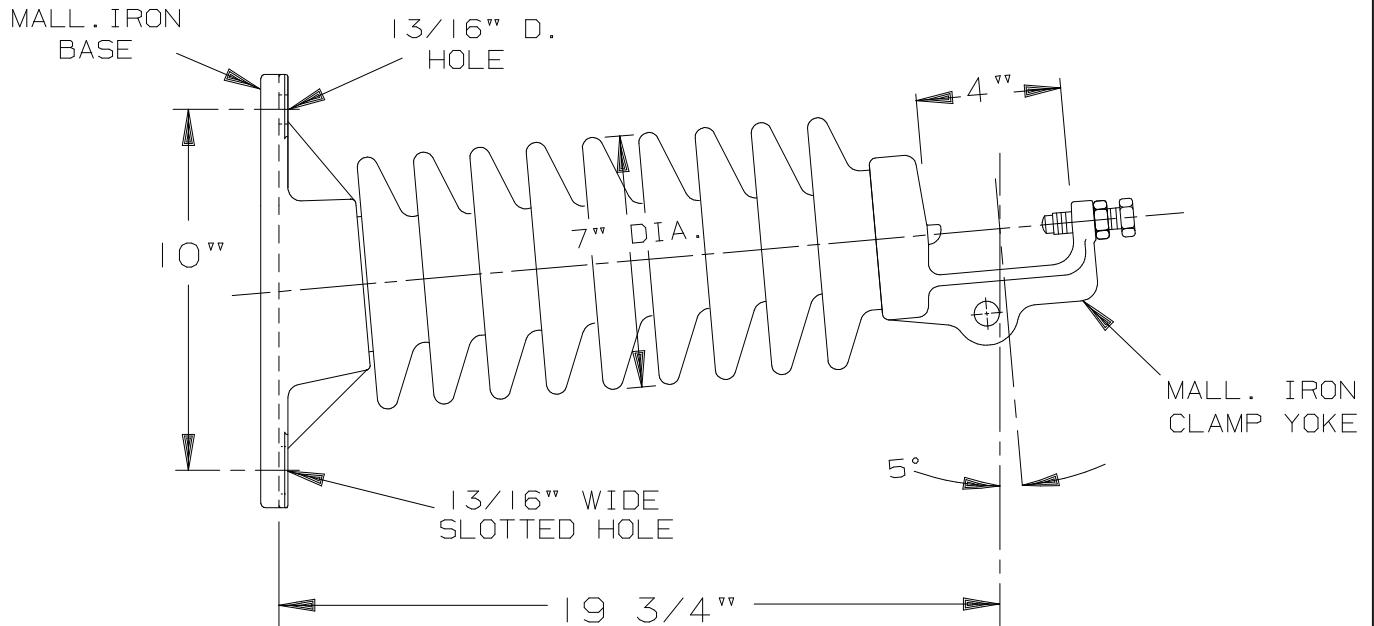
RADIO INFLUENCE VOLTAGE DATA

60 HERTZ TEST VOLTAGE	kV	44
MAXIMUM RIV @ 1000 kHz	μ V	200

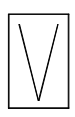
PACKING INFORMATION

NET WEIGHT, PER 100		
PACKED WEIGHT, PER 100	LB	4320
NO. IN STANDARD PACKAGE	LB	4570

THIS DRAWING IS THE PROPERTY OF
 VICTOR INSULATORS, INC. AND CONTAINS
 PROPRIETARY AND CONFIDENTIAL INFORMATION
 WHICH MUST NOT BE DUPLICATED, USED,
 OR DISCLOSED OTHER THAN AS EXPRESSLY
 AUTHORIZED BY VICTOR INSULATORS, INC.



3-11-93	TP		AS	D
12-20-93	RR	PP		C
11-22-93		PP		B
4-21-93		PP		A



Victor Insulators, Inc.
 280 MAPLE AVENUE
 MAIL: P.O. BOX B, VICTOR, NEW YORK 14564
 TELEPHONE: (716)924-2127

62357