

30

POLE GAIN LINE POST  
 HORIZONTAL MOUNTING  
 69 kV CAT. NO. 62358  
 ANSI CLASS 57-35

ENG. MGR.  
 2 ENG.  
 PURCH.  
 MKTG.  
 PLT. MGR.  
 COST  
 PROD.  
 INSP.  
 GLAZE  
 BUSHING  
 MAKING  
 SHIP.  
 ASSEM.  
 MODEL  
 MACH.  
 45  
 TOOLING  
 CER. LAB.  
 EL. LAB.  
 Q.A.

DIMENSIONS

LEAKAGE DISTANCE	IN	45
DRY ARCHING DISTANCE	IN	17 1/4

MECHANICAL VALUES

CANTILEVER STRENGTH	LB	2,800
---------------------	----	-------

ELECTRICAL VALUES

60 HERTZ FLASHOVER-DRY	kV	160
60 HERTZ FLASHOVER-WET	kV	130
IMPULSE FLASHOVER-POS.	kV	265

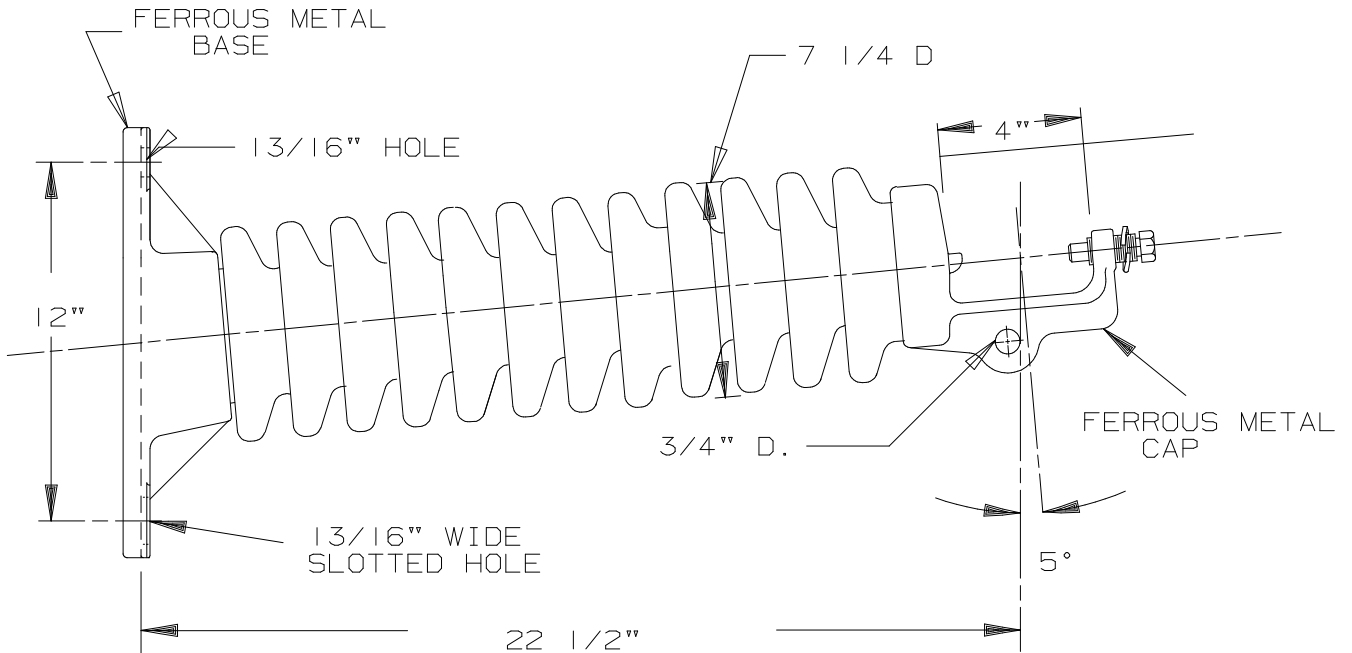
RADIO INFLUENCE VOLTAGE DATA

60 HERTZ TEST VOLTAGE	kV	44
MAXIMUM RIV @ 1000 kHz	$\mu$ V	200

PACKING INFORMATION

NET WEIGHT, PER 100	LB	6100
PACKED WEIGHT PER 100	LB	6400
NO. IN STANDARD PACKAGE		1

THIS DRAWING IS THE PROPERTY OF  
 VICTOR INSULATORS, INC. AND CONTAINS  
 PROPRIETARY AND CONFIDENTIAL INFORMATION  
 WHICH MUST NOT BE DUPLICATED, USED,  
 OR DISCLOSED OTHER THAN AS EXPRESSLY  
 AUTHORIZED BY VICTOR INSULATORS, INC.



Victor Insulators, Inc.  
 280 MAPLE AVENUE  
 VICTOR, NEW YORK 14564  
 TELEPHONE: (716)924-2127

62358

7-18-96

MM PP AS

SUPERSEDES 62358 DATED 7-10-91