

SUSPENSION INSULATOR

CATALOG NO. 804

ANSI CLASS 52-1

25

DIMENSIONS

LEAKAGE DISTANCE IN 7  
 DRY ARCING DISTANCE IN 4.5

MECHANICAL VALUES

M & E STENGTH LB 10,000  
 IMPACT STENGTH IN-LB 45  
 TIME LOAD TEST LB 6,000  
 ROUTINE PROOF TEST LOAD LB 5,000

ELECTRICAL VALUES

60 HERTZ FLASHOVER-DRY kV 60  
 60 HERTZ FLASHOVER-WET kV 30  
 IMPULSE FLASHOVER -POS. kV 100  
 IMPULSE FLASHOVER -NEG. kV 100  
 60 HERTZ PUNCTURE VOLTAGE kV 80

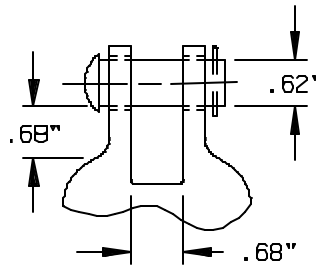
RADIO INFLUENCE VOLTAGE DATA

60 HERTZ TEST VOLTAGE kV 7.5  
 MAXIMUM RIV @ 1000 kHz  $\mu$ V 50

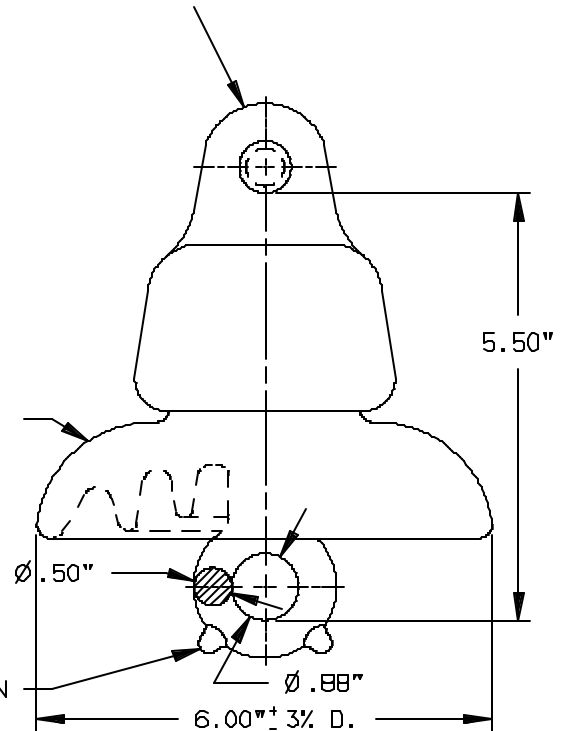
PACKING INFORMATION

NET WEIGHT PER 100 LB 567  
 PACKED WEIGHT PER 100 LB 600  
 STANDARD PACKAGE 12

GALV. MALL. IRON CAP



WET PROCESS PORCELAIN



GALV. FORGED STEEL PIN

THIS DRAWING IS THE PROPERTY OF VICTOR INSULATORS, INC. AND CONTAINS PROPRIETARY AND CONFIDENTIAL INFORMATION WHICH MUST NOT BE DUPLICATED, USED, OR DISCLOSED OTHER THAN AS EXPRESSLY AUTHORIZED BY VICTOR INSULATORS, INC.



Victor Insulators, Inc.  
 280 MAPLE AVENUE  
 VICTOR, NEW YORK 14564  
 TELEPHONE: (716)924-2127

804

REDRAW 4-20-98

DF PP