

19

DIMENSIONS

LEAKAGE DISTANCE IN 7

SUSPENSION INSULATOR

CAT. NO. 817

ANSI CLASS 52-9

MECHANICAL VALUES

M & E STRENGTH LB 10,000
 IMPACT STRENGTH IN-LB 55
 TIME LOAD TEST VALUE LB 6,000
 ROUTINE PROOF TEST LOAD LB 5,000

ELECTRICAL VALUES

IMPULSE FLASHOVER-POS. kV 100
 IMPULSE FLASHOVER-NEG. kV 90
 60 HERTZ FLASHOVER-WET kV 30
 60 HERTZ FLASHOVER-DRY kV 60
 60 HERTZ PUNCTURE VOLTAGE kV 80

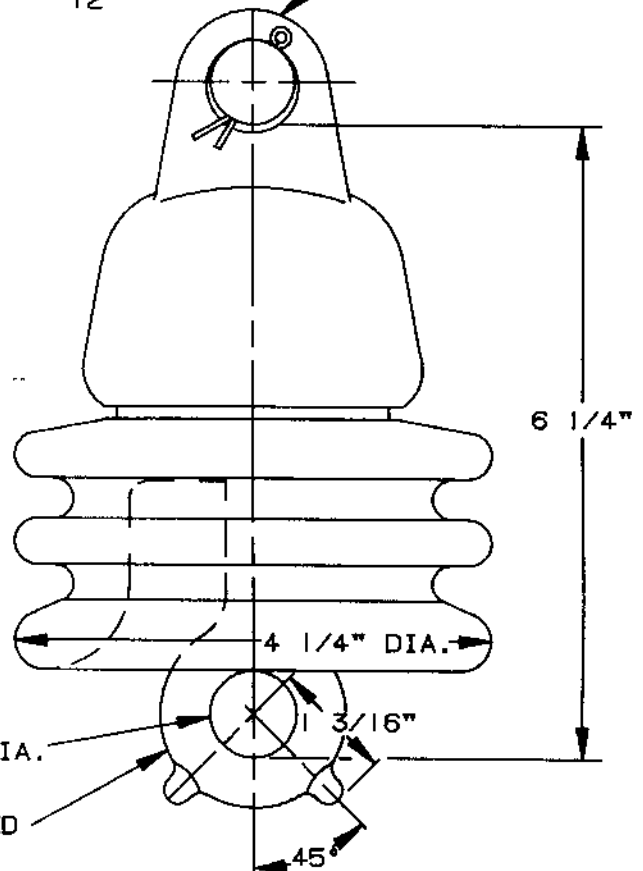
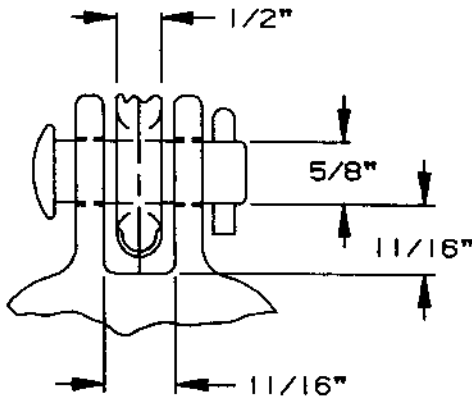
RADIO INFLUENCE VOLTAGE DATA

60 HERTZ TEST VOLTAGE kV 7.5
 MAXIMUM RIV @ 1000 kHz uV 50

PACKING INFORMATION

NET WEIGHT PER 100 LB 555
 PACKED WEIGHT PER 100 LB 575
 NO. IN STANDARD PACKAGE 12

GALV. MALL. IRON CAP



GALV. FORGED STEEL PIN

THIS DRAWING IS THE PROPERTY OF VICTOR INSULATORS, INC. AND CONTAINS PROPRIETARY AND CONFIDENTIAL INFORMATION WHICH MUST NOT BE DUPLICATED, USED, OR DISCLOSED OTHER THAN AS EXPRESSLY AUTHORIZED BY VICTOR INSULATORS, INC.

Victor Insulators, Inc.
 280 MAPLE AVENUE
 MAIL, P.O. BOX B, VICTOR, NEW YORK 14564
 TELEPHONE: (716)924-2127

817

4-9-92

BANAP [signature]