

25

DIMENSIONS

LEAKAGE DISTANCE	IN	10.5
DRY ARCING DISTANCE	IN	6

SUSPENSION INSULATOR

CAT. NO. 820

MECHANICAL VALUES

M & E STRENGTH	LB	10,000
IMPACT STRENGTH	IN-LB	50
TIME LOAD TEST VALUE	LB	6,000
ROUTINE PROOF TEST LOAD	LB	5,000

ELECTRICAL VALUES

60 HERTZ FLASHOVER - DRY	kV	80
60 HERTZ FLASHOVER - WET	kV	50
IMPULSE FLASHOVER - POS.	kV	125
IMPULSE FLASHOVER - NEG.	kV	130
60 HERTZ PUNCTURE VOLTAGE	kV	110

GALV. MALL. IRON CAP

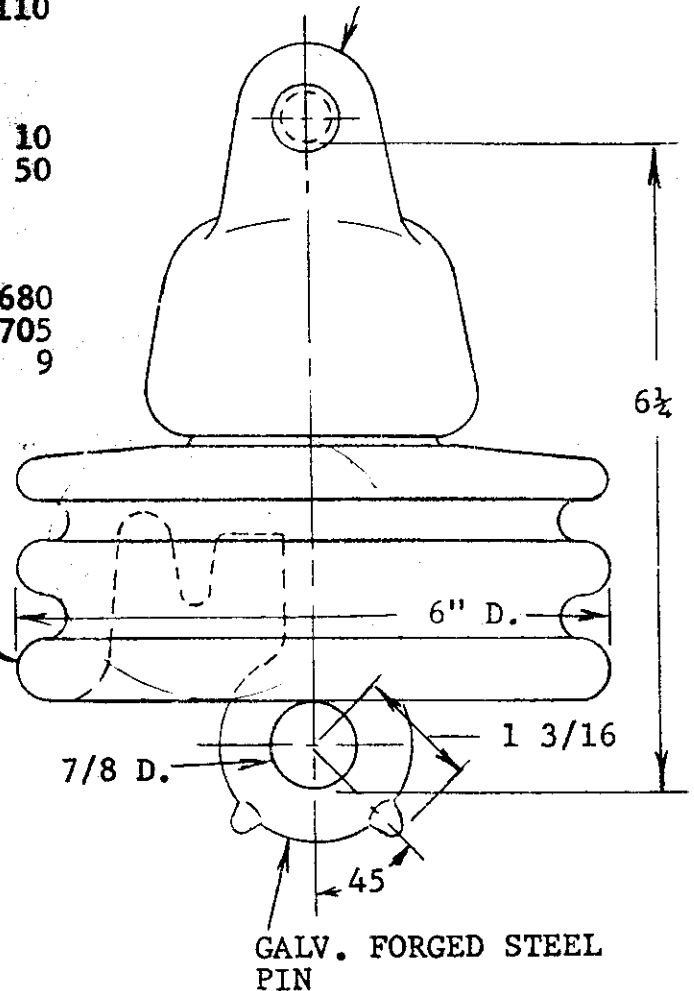
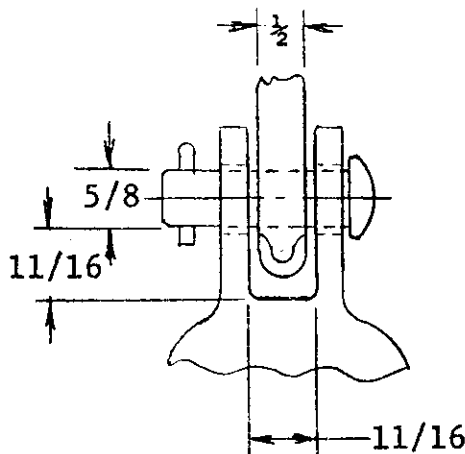
RADIO INFLUENCE VOLTAGE DATA

60 HERTZ TEST VOLTAGE	kV	10
MAXIMUM RIV @ 1000 kHz	μ V	50

PACKING INFORMATION

NET WEIGHT PER 100	LB	680
PACKED WEIGHT PER 100	LB	705
NO. IN STANDARD PACKAGE		9

WET PROCESS PORCELAIN



This drawing is the property of Victor Insulators, Inc. and contains proprietary and confidential information which must not be duplicated, used, or disclosed other than as expressly authorized by Victor Insulators, Inc.

REV.	8-5-91	BA	✗
Dr nfc	Ck'd	7-24-85	



Victor Insulators, Inc.
280 Maple Avenue
Mail: P.O. Box B, Victor, New York 14564
Telephone: (716) 924-2127

820