

25

SUSPENSION INSULATOR

CAT. NO. 834

HIGH STRENGTH PORCELAIN

DIMENSIONS

LEAKAGE DISTANCE	IN	7
DRY ARCING DISTANCE	IN	4½

MECHANICAL VALUES

COMBINE M&E STRENGTH	LB	10,000
MECHANICAL IMPACT STRENGTH	IN-LB	90
ROUTINE PROOF TEST LOAD	LB	5,000
TIME LOAD TEST VALUE	LB	6,000

ELECTRICAL VALUES

60 HERTZ FLASHOVER-DRY	kV	60
60 HERTZ FLASHOVER-WET	kV	30
IMPULSE FLASHOVER -POS.	kV	100
IMPULSE FLASHOVER -NEG.	kV	100
60 HERTZ PUNCTURE VOLTAGE	kV	80

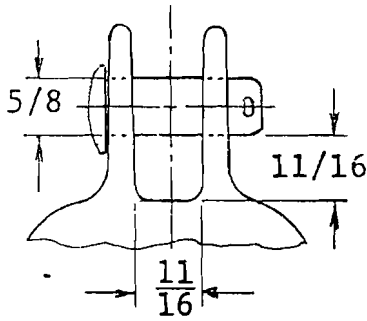
RADIO INFLUENCE VOLTAGE DATA

60 HERTZ TEST VOLTAGE	kV	7.5
MAXIMUM RIV @ 1000 kHz	µV	50

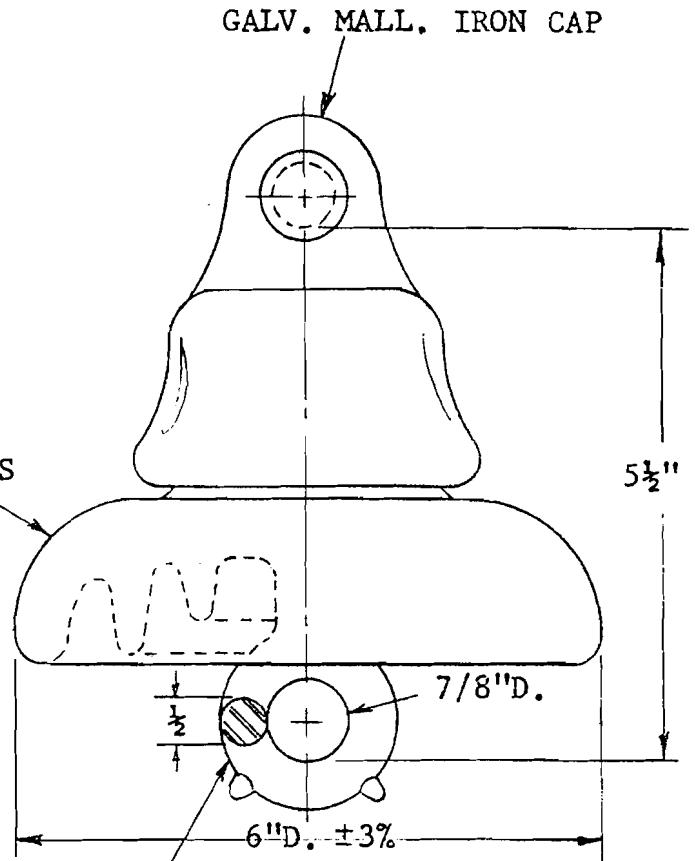
PACKING INFORMATION

NET WEIGHT PER 100	LB	600
PACKED WEIGHT PER 100	LB	633
NO. IN STANDARD PACKAGE		12

Eng. Mgr. 1
 Eng. 2
 Purch.
 Mktg. 1
 Supt.
 Cost
 Prod.
 Insp.
 Glazing
 Bushing
 Making
 Ship
 Assem.
 Model
 Mach.
 45
 Tooling
 Cer. Lab.
 El. Lab. 1
 Q.A.



WET PROCESS PORCELAIN



GALV. FORGED STEEL PIN

This drawing is the property of Victor Insulators, Inc. and contains proprietary and confidential information which must not be duplicated, used, or disclosed other than as expressly authorized by Victor Insulators, Inc.

SUPERSEDES 834

DATED 9-19-80

9-6-85
DWN. G.J.R.
APP. AES

REV. 8-5-91



Victor Insulators, Inc.
 280 Maple Avenue
 Mail: P.O. Box B, Victor, New York 14564
 Telephone: (716) 924-2127

834

FILE 834