

PIN TYPE INSULATOR

CAT. NO. 9R

F NECK	1" PINHOLE
14.4 kV	ANSI CLASS 55-5

- 1 ENG. MGR
- 2 ENG
- PURCH.
- 1 MKTG.
- PLT.MGR.
- COST
- PRD.
- INSP
- GLAZE
- BUSHING
- MAKING
- SHIP
- ASSEM
- MODEL
- MACH.
- 45
- TOOLING
- CER LAB
- 1 EL LAB
- 1 E.MEDIA

DIMENSIONS:

LEAKAGE DISTANCE	IN[mm]	12[305]
DRY ARCING DISTANCE	IN[mm]	6.25[159]

MECHANICAL VALUES:

CANTILEVER	LB[kN]	3,000[13.3]
------------	--------	-------------

ELECTRICAL VALUES:

60 HERTZ FLASHOVER-DRY	kV	80
60 HERTZ FLASHOVER-WET	kV	45
IMPULSE FLASHOVER-POS	kV	130
IMPULSE FLASHOVER-NEG	kV	150
60 HTZ PUNCTURE VOLTAGE	kV	115

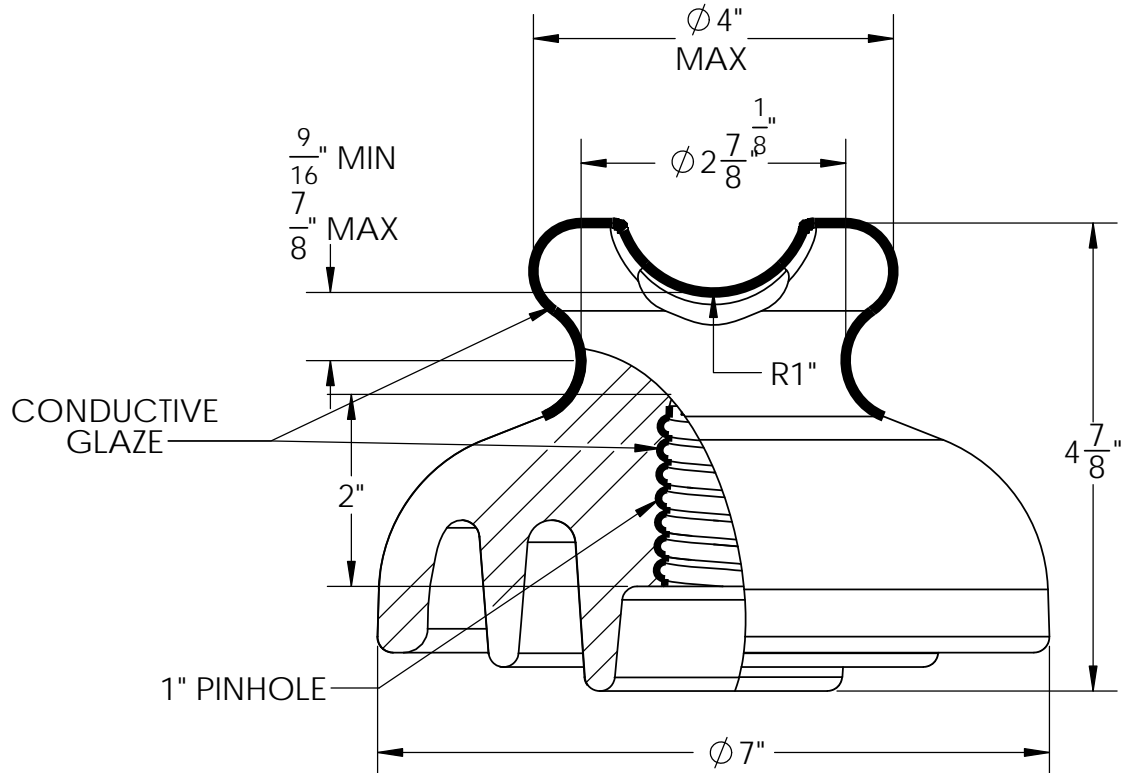
RADIO INFLUENCE VOLTAGE DATA:

60 HERTZ TEST VOLTAGE TO GROUND	kV	15
MAXIMUM R.I.V. @ 1000 kHz	μV	100

PACKAGING INFORMATION:

NET WEIGHT	LB[kg]	6.25[2.8]
PACKED WEIGHT	LB[kg]	6.6[3]
NO. IN STANDARD PACKAGE		6

THIS DRAWING IS THE PROPERTY OF VICTOR INSULATORS, INC. AND CONTAINS PROPRIETARY AND CONFIDENTIAL INFORMATION WHICH MUST NOT BE DUPLICATED, USED, OR DISCLOSED OTHER THAN AS EXPRESSLY AUTHORIZED BY VICTOR INSULATORS, INC.



APPROVED
By A. E. Schwalm at 7:06 am, Jan 25, 2017



Victor Insulators, Inc.
280 Maple Avenue
Victor, New York 14564
Telephone: (585)924-2127
www.victorinsulators.com

9R

01-24-17

TM

SUPERSEDES 9R DATED 03-10-11