

SPOOL INSULATOR

CAT. NO. VI 2617

A-NECK

19

ENG. MGR.  
 ENG.  
 PURCH.  
 MKTG.  
 PLT. MGR.  
 COST  
 PROD.  
 INSP.  
 GLAZE  
 BUSHING  
 MAKING  
 SHIP.  
 ASSEM.  
 MODEL  
 MACH.  
 45  
 TOOLING  
 CER. LAB.  
 EL. LAB.  
 Q.A.

MECHANICAL VALUES

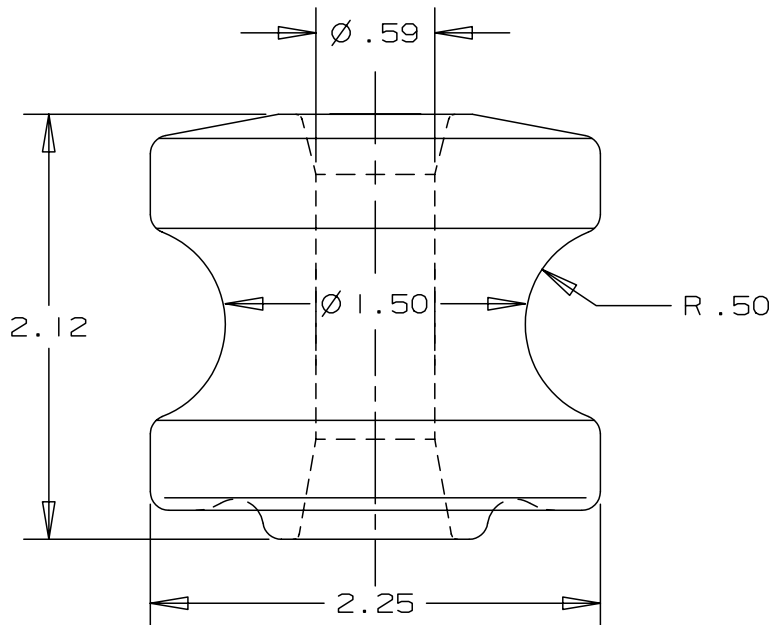
TRANSVERSE STRENGTH                      LB    2,000

ELECTRICAL VALUES

60 HERTZ WITHSTAND-DRY	kV	20
60 HERTZ WITHSTAND-WET		
VERTICAL	kV	8
HORIZONTAL	kV	10

PACKING INFORMATION

NET WEIGHT PER 100	LB	45
PACKED WEIGHT PER 100	LB	50
NO. IN STANDARD PACKAGE		100



THIS DRAWING IS THE PROPERTY OF VICTOR INSULATORS, INC. AND CONTAINS PROPRIETARY AND CONFIDENTIAL INFORMATION WHICH MUST NOT BE DUPLICATED, USED, OR DISCLOSED OTHER THAN AS EXPRESSLY AUTHORIZED BY VICTOR INSULATORS, INC.

FILE: VI 2617

	<b>INSULATORS</b> VICTOR INSULATORS, INC. 280 MAPLE AVENUE VICTOR, NEW YORK 14564 TELEPHONE: (585)924-2127	VI 2617
	12-08-04      PP	