

**SUSPENSION**

CAT. NO. VI 52-4H

ANSI 52-4H

DIMENSIONS:

LEAKAGE DISTANCE IN[mm] 12.5[320]

MECHANICAL VALUES:

M&E STRENGTH LB[kN] 20000[89]  
 IMPACT STRENGTH IN-LB[N-m] 90[10]  
 TENSION PROOF LB[kN] 10000[44.5]

ELECTRICAL VALUES:

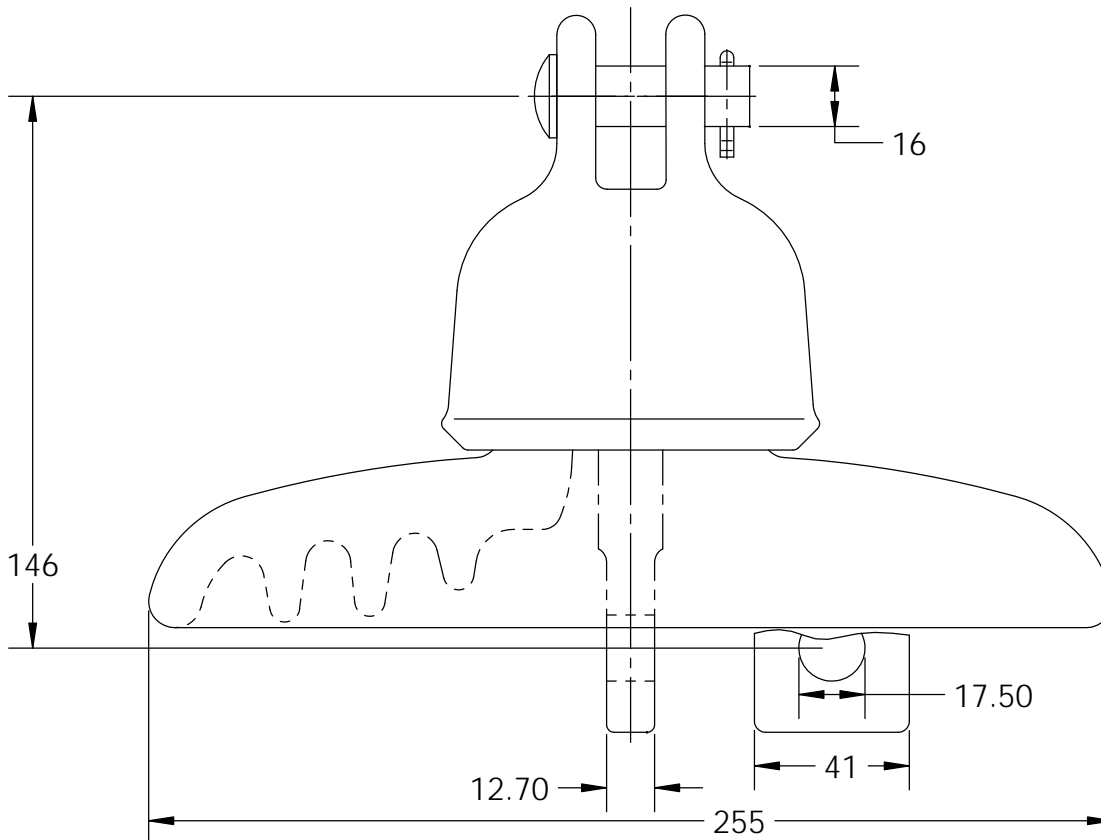
FREQUENCY FLASHOVER DRY KV 80  
 FREQUENCY FLASHOVER WET KV 50  
 IMPULSE FLASHOVER-POSITIVE kV 125  
 IMPULSE FLASHOVER-NEGATIVE kV 130  
 FREQUENCY PUNCTURE VOLTAGE kV 110

RADIO INFLUENCE VOLTAGE DATA:

60 HERTZ TEST VOLTAGE TO GROUND kV 10  
 MAXIMUM R.I.V. @ 1000 kHz  $\mu$ V 50

PACKAGING INFORMATION:

NET WEIGHT, LB 13.2  
 PACKED WEIGHT LB 15.2



THIS DRAWING IS THE PROPERTY OF VICTOR INSULATORS, INC. AND CONTAINS PROPRIETARY AND CONFIDENTIAL INFORMATION WHICH MUST NOT BE DUPLICATED, USED, OR DISCLOSED OTHER THAN AS EXPRESSLY AUTHORIZED BY VICTOR INSULATORS, INC.

**APPROVED**  
 By A. E. Schwalm at 6:39 pm, Nov 11, 2016



**Victor Insulators, Inc.**  
 280 Maple Avenue  
 Victor, New York 14564  
 Telephone: (585)924-2127  
 www.victorinsulators.com

**VI 52-4H**

11/11/2016

TMAF