

SUSPENSION INSULATOR

ANSI CLASS 52-5H

CAT NO. VI 52-5H

DIMENSIONS:

LEAKAGE DISTANCE IN[mm] 12.5[320]

MECHANICAL VALUES:

M&E STRENGTH LB[KN] 30,000[133]
 IMPACT STRENGTH N-LB[N-m] 15,000[66.7]
 TENSION PROOF LB[KN] 60[7.0]

ELECTRICAL VALUES:

60 HERTZ FLASHOVER-DRY kV 80
 60 HERTZ FLASHOVER-WET kV 50
 IMPULSE FLASHOVER-POS kV 125
 IMPULSE FLASHOVER-NEG kV 130
 LOW FREQUENCY PUNCTURE kV 110

RADIO INFLUENCE VOLTAGE DATA:

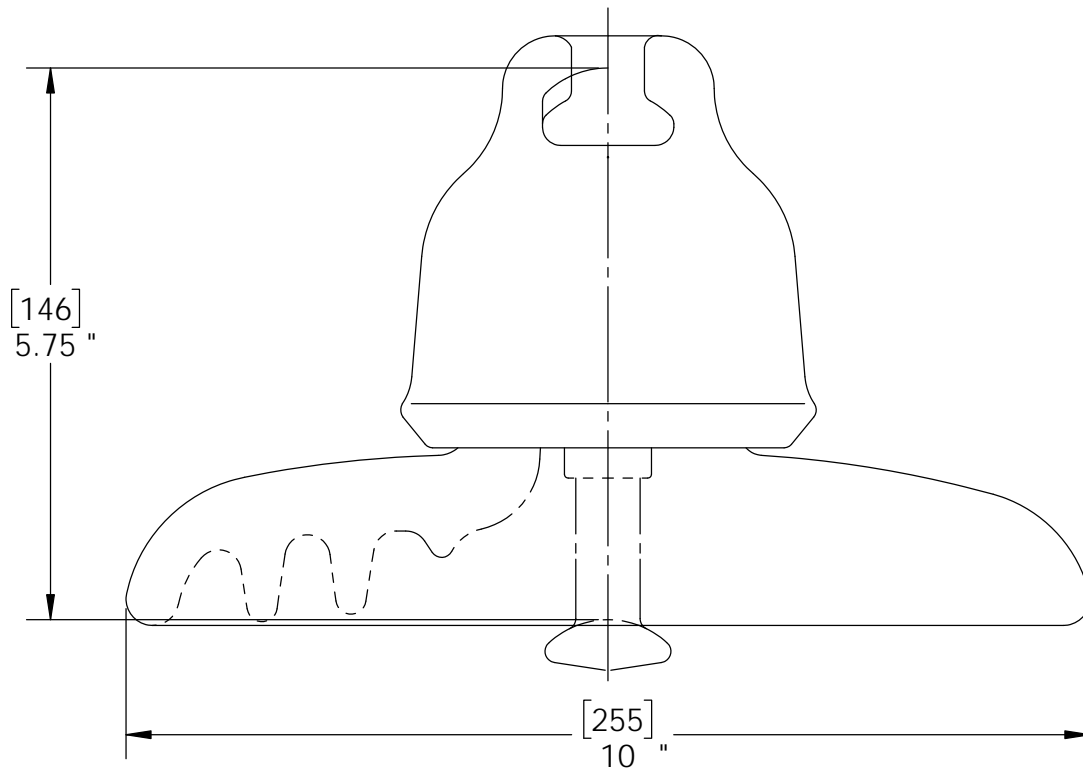
60 HERTZ TEST VOLTAGE TO GROUND kV 10
 MAXIMUM R.I.V. @ 1000 kHz μV 50

PACKAGING INFORMATION:

NET WEIGHT, LB[kg] 13.2[6]
 PACKED WEIGHT LB[kg] 15.2[7]

- 1 ENG. MGR
- 2 ENG
- PURCH.
- 1 MKTG.
- PLT.MGR.
- COST
- PRD.
- INSP
- GLAZE
- BUSHING
- MAKING
- SHIP
- ASSEM
- MODEL
- MACH.
- 45
- TOOLING
- CER LAB
- 1 EL LAB
- 1 E.MEDIA

THIS DRAWING IS THE PROPERTY OF VICTOR INSULATORS, INC. AND CONTAINS PROPRIETARY AND CONFIDENTIAL INFORMATION WHICH MUST NOT BE DUPLICATED, USED, OR DISCLOSED OTHER THAN AS EXPRESSLY AUTHORIZED BY VICTOR INSULATORS, INC.



APPROVED
 By A. E. Schwalm at 6:39 pm, Nov 11, 2016



Victor Insulators, Inc.
 280 Maple Avenue
 Victor, New York 14564
 Telephone: (585)924-2127
 www.victorinsulators.com

VI 52-5H

11/11/2016

TM/AF

SUPERSEDES VI 52-5H DATED 06-02-09

VI 52-5H