

30

SUSPENSION INSULATOR

ANSI CLASS 52-8H

CAT NO VI 52-8H TG

DIMENSIONS:

LEAKAGE DISTANCE IN(mm) 15.75(400)
 CONNECTION TYPE K

TOUGHENED GLASS

MECHANICAL VALUES:

M&E STRENGTH LB(kN) 40,000(178)
 IMPACT STRENGTH IN-LB(N-m) 90(10)
 TENSION PROOF LB(kN) 20,000(89)

ELECTRICAL VALUES:

LOW FREQUENCY FLASHOVER, DRY kV 80
 LOW FREQUENCY FLASHOVER, WET kV 50
 CRITICAL IMPULSE FLASHOVER, POS. kV 125
 CRITICAL IMPULSE FLASHOVER, NEG. kV 130
 LOW FREQUENCY PUNCTURE kV 130

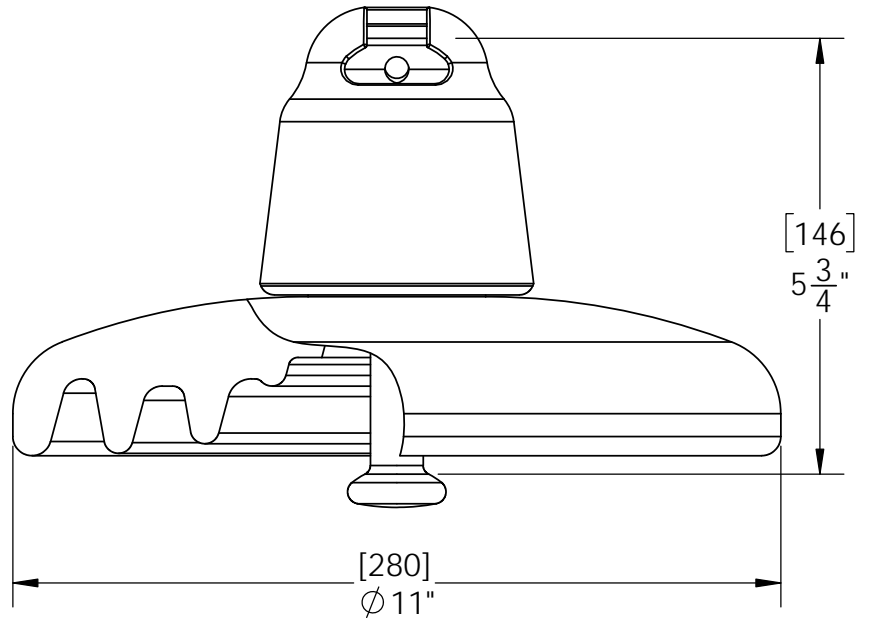
RADIO INFLUENCE VOLTAGE DATA:

LOW FREQUENCY TEST VOLTAGE kV 10
 MAXIMUM RIV AT 1,000 kHz: uV 50

PACKING INFORMATION:

NET WEIGHT LB(kg) 13.6(6.2)
 PACKED WEIGHT LB(kg) 14.5(6.6)

THIS DRAWING IS THE PROPERTY OF VICTOR INSULATORS, INC. AND CONTAINS PROPRIETARY AND CONFIDENTIAL INFORMATION WHICH MUST NOT BE DUPLICATED, USED, OR DISCLOSED OTHER THAN AS EXPRESSLY AUTHORIZED BY VICTOR INSULATORS, INC.



APPROVED
By A. E. Schwab at 10:32 am, Apr 10, 2015

04-07-17	TM	A
05-25-16	TM	

V[®] Victor Insulators, Inc.
 280 Maple Avenue
 Victor, New York 14564
 Telephone: (585)924-2127
 www.victorinsulators.com

VI 52-8H TG

PART NO. VI 52-8H TG