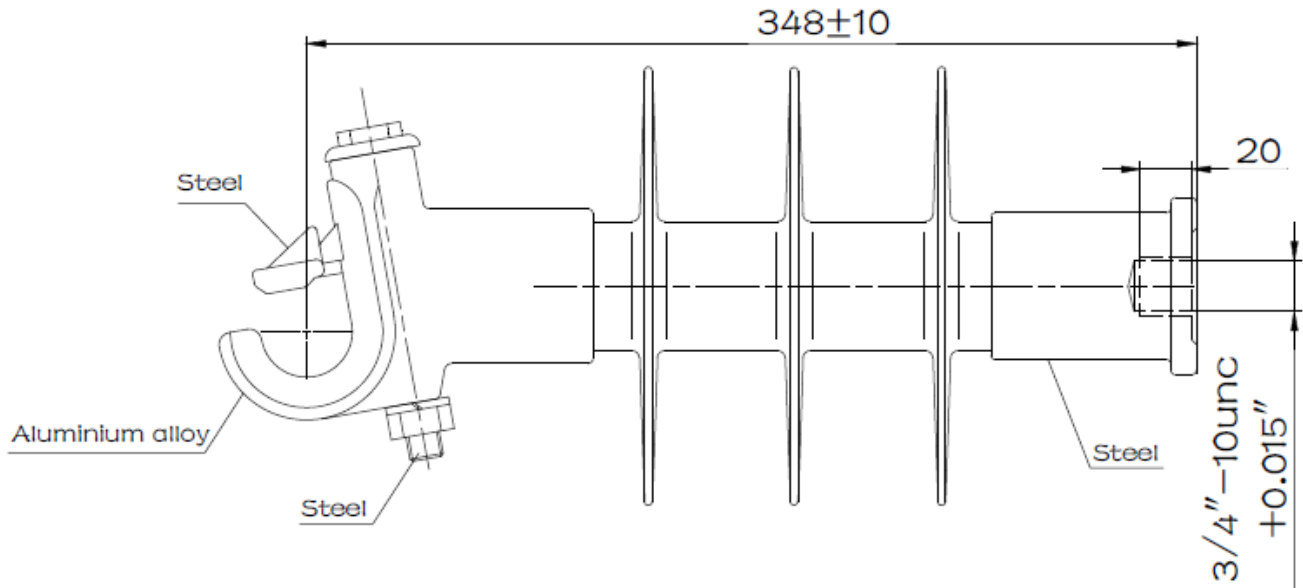


# COMPOSITE INSULATOR

CAT. NO. VI 28U

- 1 ENG. MGR
- 2 ENG
- PURCH.
- 1 MKTG.
- PLT.MGR.
- COST
- PRD.
- INSP
- GLAZE
- BUSHING
- MAKING
- SHIP
- ASSEM
- MODEL
- MACH.
- 45
- TOOLING
- CER LAB
- 1 EL LAB
- 1 E.MEDIA

EXCEPT BASE THREADING, ALL DIMENSIONS ARE IN mm



TECHNICAL SPECIFICATIONS:

LEAKAGE DISTANCE	mm	420
DRY ARCING DISTANCE	mm	210
SPECIFIED CANTILEVER LOAD (SCL)	kN	12.5
SPECIFIED TENSILE LOAD(STL)	kN	22
60 HERTZ FLASHOVER, DRY	kV	95
60 HERTZ FLASHOVER, WET	kV	65
IMPULSE FLASHOVER, POSITIVE	kV	160
RIV 60 HERTZ TEST VOLTAGE	kV	15
MAXIMUM RIV @ 1000 KHz	µV	2.5

THIS DRAWING IS THE PROPERTY OF VICTOR INSULATORS, INC. AND CONTAINS PROPRIETARY AND CONFIDENTIAL INFORMATION WHICH MUST NOT BE DUPLICATED, USED, OR DISCLOSED OTHER THAN AS EXPRESSLY AUTHORIZED BY VICTOR INSULATORS, INC.

**APPROVED**  
By A. E. Schwalm at 3:05 pm, Jun 18, 2018



**Victor Insulators, Inc.**

280 Maple Avenue  
Victor, New York 14564  
Telephone: (585)924-2127  
www.victorinsulators.com

VI 28U

06-18-18

TM