

SILICONE LINE POST

CAT. NO.: VI 51-4F

46 kV

F NECK

DIMENSIONS:
LEAKAGE DISTANCE

mm 872

MECHANICAL VALUES:
SPECIFIED CANTILEVER LOAD(SCL)
SPECIFIED TENSILE LOAD(STL)

kN 12.5
kN 8.9

ELECTRICAL VALUES:
60 HERTZ FLASHOVER, DRY
60 HERTZ FLASHOVER, WET
IMPULSE FLASHOVER, POSITIVE

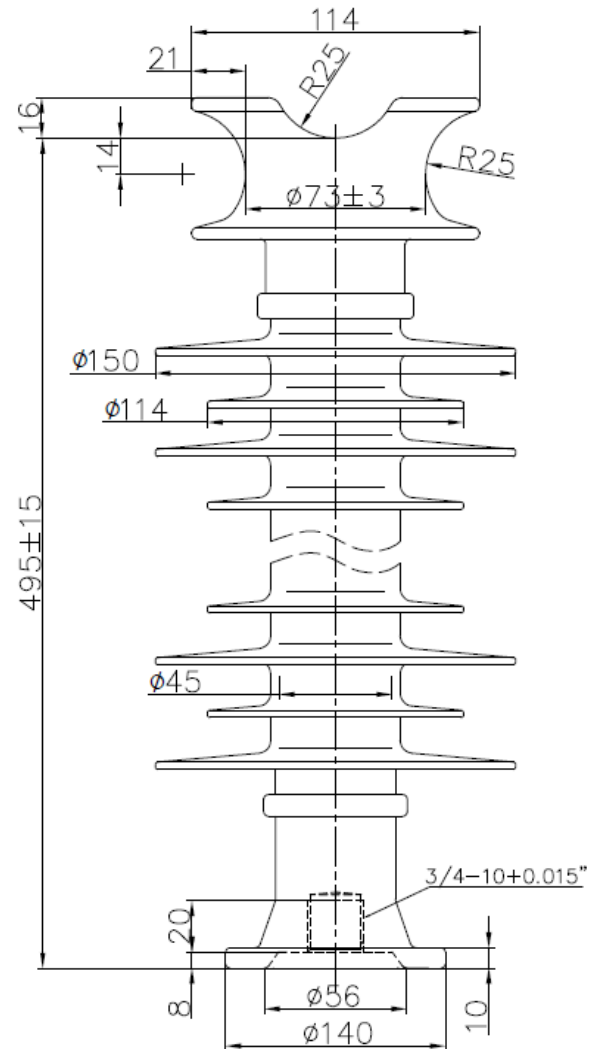
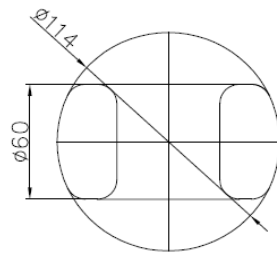
kV 170
kV 125
kV 260

RADIO INFLUENCE VOLTAGE DATA:
60 HERTZ TEST VOLTAGE TO GROUND
MAXIMUM R.I.V. @ 1000 KHZ

kV 30
μV 200

PACKING INFORMATION:
NET WEIGHT

kg 6



THIS DRAWING IS THE PROPERTY OF VICTOR INSULATORS, INC. AND CONTAINS PROPRIETARY AND CONFIDENTIAL INFORMATION WHICH MUST NOT BE DUPLICATED, USED, OR DISCLOSED OTHER THAN AS EXPRESSLY AUTHORIZED BY VICTOR INSULATORS, INC.

APPROVED
By A. E. Schwalm at 3:23 pm, Sep 15, 2022

09-15-22

TM

08-03-22

TM



Victor Insulators, Inc.

280 Maple Avenue
Victor, New York 14564
Telephone: (585)924-2127
www.victorinsulators.com

VI 51-4F