

PIN AND CLEVIS
ANSI CLASS 52-10H
CAT NO: VI 52-10H

DIMENSIONS

LEAKAGE DISTANCE IN 11 mm 280

MECHANICAL VALUES

M & E STRENGTH	LB	40,000	kN	178
IMPACT STRENGTH	IN-LB	90	N-m	10
TENSION PROOF	LB	20,000	kN	89

ELECTRICAL VALUES

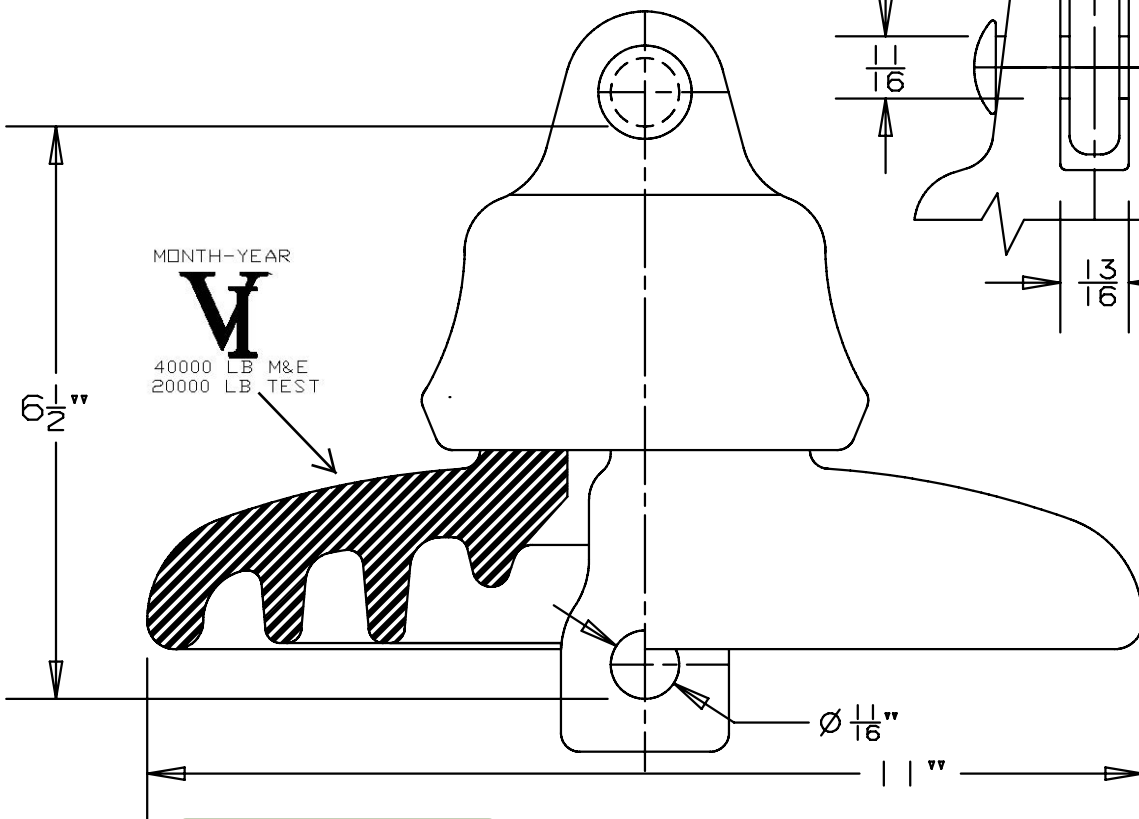
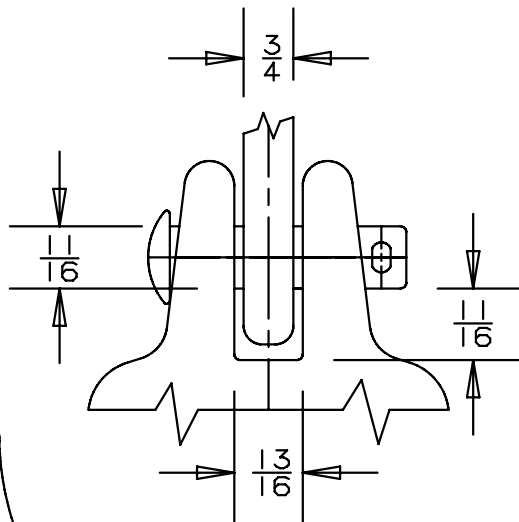
LOW FREQUENCY FLASHOVER VOLTAGE DRY	kV	80
LOW FREQUENCY FLASHOVER VOLTAGE WET	kV	50
CRITICAL IMPULSE FLASHOVER VOLTAGE POSITIVE	kV	125
CRITICAL IMPULSE FLASHOVER VOLTAGE NEG.	kV	130
LOW FREQUENCY PUNCTURE VOLTAGE	kV	110

RADIO INFLUENCE VOLTAGE DATA

LOW FREQUENCY TEST VOLTAGE	kV	10
MAXIMUM RIV @ 1000 kHz	μV	50

PACKING INFORMATION

GROSS WEIGHT PER 100 LB 2000



THIS DRAWING IS THE PROPERTY OF VICTOR INSULATORS, INC. AND CONTAINS PROPRIETARY AND CONFIDENTIAL INFORMATION WHICH MUST NOT BE DUPLICATED, USED, OR DISCLOSED OTHER THAN AS EXPRESSLY AUTHORIZED BY VICTOR INSULATORS, INC.

APPROVED
By A. E. Schwalm at 2:24 pm, Mar 26, 2009

03-26-09

TM A

VI INSULATORS
VICTOR INSULATORS, INC.
280 MAPLE AVENUE
VICTOR, NEW YORK 14564
TELEPHONE: (585)924-2127

VI 52-10H

03-10-09

PP TM AS

FILE: VI 52-10